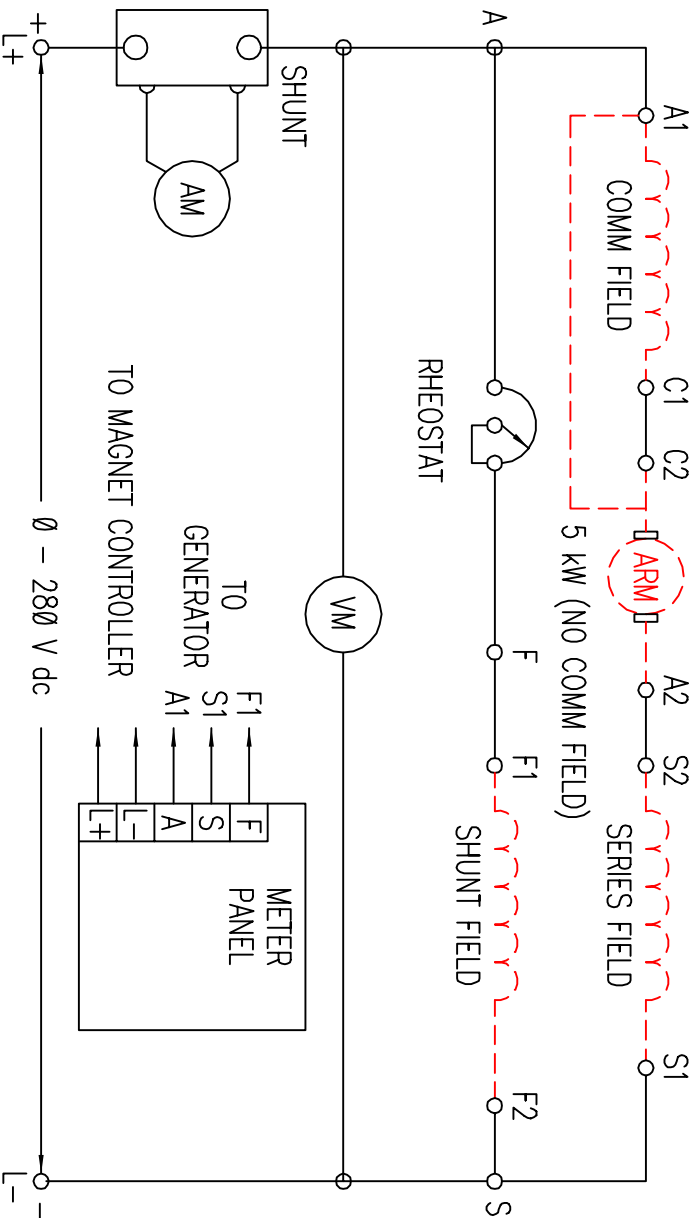
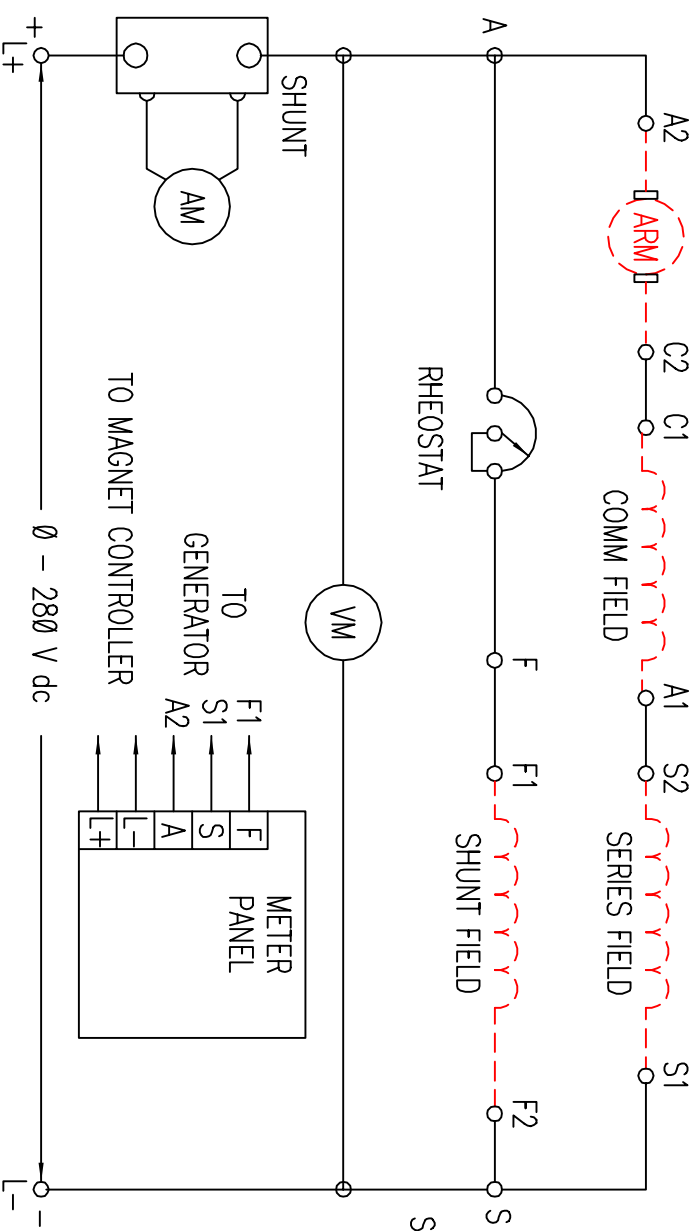


GENERATOR CONNECTION DIAGRAM

CLOCKWISE ROTATION FACING SHAFT END  
5 kW THRU 33 kW



COUNTERCLOCKWISE ROTATION FACING SHAFT END  
8 kW THRU 33 kW



B-100653

100.0

THIS PART NUMBER MUST APPEAR ON DECAL



DIM: mm  
TOL: ±0.5 mm

20 APR 2007	JPS	REVISED	ER-3011-34
19 JAN 2004	JPS	REVISED	ER-3011-32
21 AUG 2002	PAK	REVISED	ER-4050-225
25 OCT 1979	PAK	ADDED	C1 & C2

**OHIO MAGNETICS, INC.**  
**STEARNS MAGNETICS**

SUBSIDIARY OF PEERLESS WINSMITH, INC.  
MAPLE HEIGHTS, OHIO

PART GENERATOR CONNECTION DECAL  
REMARKS FOR CONTROLLER BOX  
DRAWN BY PAK DATE 05 MAR 1979  
CHECKED BY PAK SCALE 2:1  
PART NO. B-100653